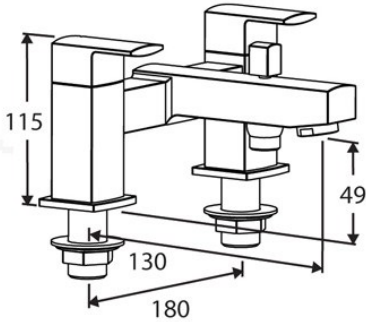




Manta 2 Hole Bath Shower Mixer including Kit

2 Hole Bath Shower Mixer (Formerly Stanza)



Code	Description	Dimensions
4S8005	2 Hole Bath Shower Mixer	See image

Pegler Yorkshire reserve the right to change specifications

10 Year Guarantee Luxury Taps and Mixers

Pegler Yorkshire Customcare 10 Year Guarantee - Terms and Conditions

Product are subject to a 10 year guarantee that is between Pegler Yorkshire and the final purchaser of the product.

The guarantee is subject to proof of purchase being supplied.

This guarantee does not affect any statutory rights the consumer may have in law.

The guarantee covers manufacturing or material defects and does not cover parts subject to normal wear and tear.

Finishes other than chrome are covered for a period of 3 years only and the guarantee on the finish is subject to the cleaning instructions being followed.

The guarantee is not applicable where the product is fitted contrary to the conditions in the fitting instructions.

Abusive behaviour and accidental damage to the product are not covered by this guarantee.

The extent of this liability is limited to the cost of the replacement of the defective item and not to fitting or consequential damages.

Care

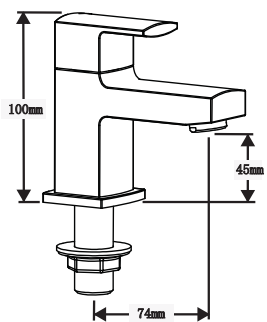
To maintain the surface finish, simply wipe occasionally with a mild detergent on a soft damp cloth. Dry, using a soft cloth. Never use abrasive cleaners or chemical household cleaners and avoid contact with concentrated bleach.

Maintenance

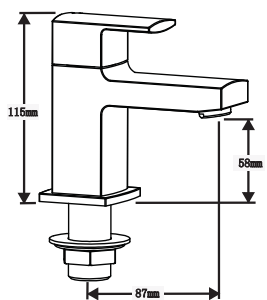
No regular maintenance is required for this product.

In case of complete replacement Pegler recommend service valves should be fitted to the supply inlets.

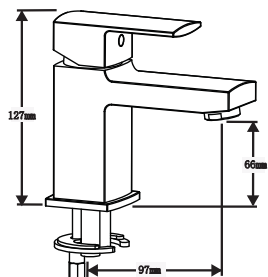
For any further help or replacement parts please contact the Service Support Team on 0800 1560050.



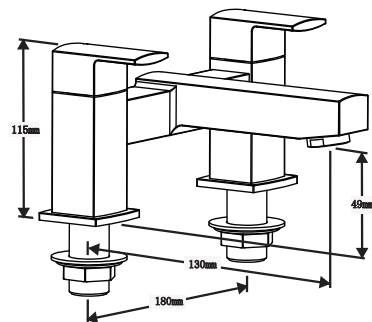
1/2" Basin Taps



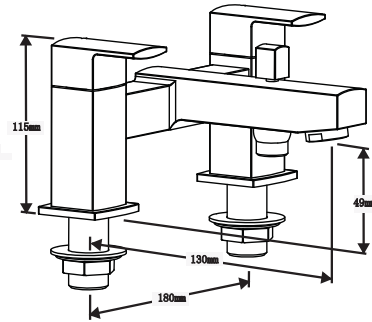
3/4" Bath Taps



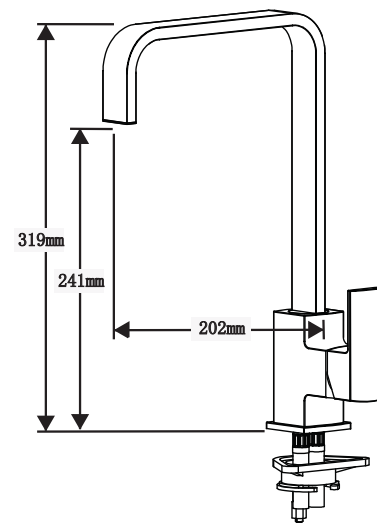
Mono Basin Mixer



2 Hole Bath Filler



2 Hole Bath Shower Mixer



Mono Sink Mix Side Action

Water Regulations Requirements

It is important to ensure that the water supplies to your taps and mixers are connected in accordance with the water regulations (WRAS) requirements and good plumbing practice.

It is Pegler Yorkshire's recommendation and good plumbing practice that the supplies of hot and cold water to the products should be at equal (balanced) pressures in order to provide a consistent flow. Supplies should be from a common source, either mains or tank fed. If supplies are not equal pressures then non return valves should be fitted (not supplied).

These products have been designed to function on all types of water systems

Please Note: If a pump is to be installed to boost gravity supplies please refer to the pump manufactures instructions.

The hot and cold inlets for any of the products are hot on the left and cold on the right when viewed from the front of the fitting. It is our recommendation and good plumbing practice that a service valve also should be installed upstream in the inlet supply lines.

Pipe Connections

IMPORTANT. Before making any inlet pipe connections all supplies **MUST** be thoroughly flushed to remove any debris. Failure to do so could result in damage or low flow from the mixing valve. It is a requirement of Byelaw 55 of the Water Fittings Byelaw Scheme that this function is undertaken before making any pipe connections to supplies.

General Installation Notes

- Care must be taken during installation to prevent any risk of damage to the product or injury to installer.
- Installation must be carried out by a qualified and competent person and in accordance with the instructions supplied.
- Installations must comply with all Local and National Water Authority Regulations, and Building/Plumbing Regulations.
- Please ensure that you have read and understood all sections of this manual before Installation.

Water Supply Pressures

Stanza fittings have been designed to function under the following conditions:

- Minimum supply pressure 0.2 bar.
- Maximum supply pressure 6.0 bar.

Generous flow rates are achieved at pressures from 0.2 bar. At high pressures it may be necessary to reduce excessive flow rates by fitting stop or servicing valve in the supply line before the mixer or tap. These stop valves facilitate ease of maintenance should it be necessary.

Please Note: All mono basin are supplied with flow straightener fitted and an alternative aerator nozzle packed separately which can be fitted at high pressures to reduce splashing.

Installation

Pillar Taps

- i) Remove backnut from tap tail.
- ii) Fit tap through ware ensuring flange is used or anti-rotational washer or seal is trapped in position between tap base and ware, replace backnut and tighten.
- iii) Thoroughly flush pipework and connect to tap. Hot should be on the left and cold on the right when viewing pipework from the front.

Mono Sink Mixer

- i) Screw flexible inlet tails into body and tighten up ensuring o ring seal is firmly in place and leak proof. Screw in the clamping stud into the body and position rubber seal under the base of the mixer, then position the mixer into the ware in desired position ensuring handle movement is not obstructed.

Please note: Ensure free movement of spout is adequate before clamping in position.

- ii) Thoroughly flush pipework and connect tap to the supplies ensuring hot is on the left and cold on the right when viewing the mixer from the front.
- iii) Connect to the water supplies, ensure that the inlet tails seals are fitted correctly
- iv) Connect to water supply, turn on water supplies and check for leaks on tap.

Monobloc Basin

- Pegler Yorkshshire Basin mixers are supplied with separate inlet tails.
- i) Screw inlet tails into body and tighten up ensuring O ring seal is firmly in place and leak proof, unless pre fitted securing studs to be fitted and tighten.
 - ii) Locate seal under flange (or base of monobloc).
 - iii) Place fittings through hole in ware. Place washer over inlet tails and position on underside of ware. Place clamping plate on threaded stud/s ensuring that stud is positioned in the slot in the clamping plate and that the inlet tails are positioned in the cut out. Place fixing nut onto threaded studs and tighten firmly up the base of Ware / worktop.
 - iv) Insert Click waste.
 - v) Ensure pipework is thoroughly flushed to remove debris before connecting to the fitting, Connect to the water supplies.

2-hole Bath Filler/ Bath Shower Mixer

- i) Remove backnuts from inlet tails and fit tails through tap holes of bath ensuring base Rubber is trapped between bath and fitting. Replace and tighten backnuts from beneath bath.
- ii) Thoroughly flush pipework and connect tap to the supplies ensuring hot is on the left and cold on the right when viewing the mixer from the front.
- iii) Fit shower hose and kit to the bath mixer.
- iv) For all brassware supplied without handles, see separate handles instructions.
- v) For servicing or handle realignment the brassware supplied will be:
 - Snap on (push on –pull off)
 - Fixed with a locating screw
 - Fixed handle and spindle
- vi) Fixing the kit to Bath Shower mixers
 - Mark the holes and drill with 6mm bore
 - Insert plugs and fasten screw
 - Click on the shell and connect the shower hose

Care & Maintenance

To maintain the surface finishes, simply wipe occasionally with a mild detergent on a soft damp cloth. Dry using a soft cloth, never use abrasive cleansers or chemical household cleaners, and avoid contact with concentrated bleach.

Pegler Yorkshire products are manufactured to the highest standards and should require little or no maintenance. In the unlikely event of any spare part requirements, please visit our website: or contact your nearest stockist or the Pegler Yorkshire Sales Office, St Catherine's Avenue, Doncaster, DN4 8DF, telephone 0800 1560010, fax 0808 1561011 or Pegler Yorkshire Technical Office on telephone 0800 1560050, fax 0808 1561012 www.pegler.co.uk .

Customer Reference Data

Date of Purchase.....

Supplier.....

Supplier Tel. No.....

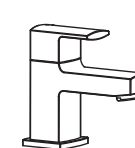
Model Type.....

Installer.....

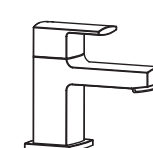
Installer Contact Details.....

Your Guide to the Installation, Care and Maintenance of

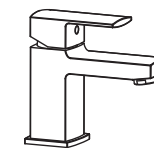
Stanza



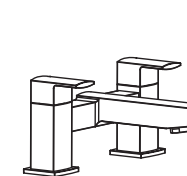
4S8001 1/2" Basin Taps



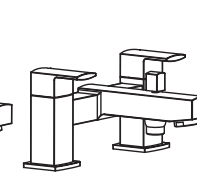
4S8002 3/4" Bath Taps



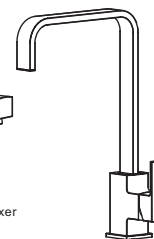
4S8003 Mono Basin Mixer



4S8004 2 Hole Bath Filler



4S8005 2 Hole Bath Shower Mixer



4S8006 Mono Sink Mix Side Action

francis
pegler



Pegler Yorkshire

Pegler Yorkshire, St Catherine's Avenue, Doncaster DN4 8DF